

INDICO IQ[®] SERIES

High Frequency X-Ray Generator

Intelligence
Enhanced Dose Control
Superior Image Quality
Reliability

The performance and reliability offered by our products stems from years of technological advancements and have become a cornerstone of many leading technologies in different market segments.

The Indico IQ[®] High Frequency X-ray Generator Series continues CPI's history of innovation with a leading edge solution for the universal radiography and fluoroscopy markets and offers expansive value-added features and advanced capabilities.



Consoles Available



BENEFITS:

- Communications interface via Ethernet, CAN or RS-232
- Advanced dose management
- Automatic mains input selection 3 Φ 400-480 VAC
- Powerful distributed control electronics
- Service and diagnostic capability using web browser

CPI
Communications
& Power Industries

**Power Electronics:
Generator Products**
+1 888 CPI XRAY
+1 905 877 0161
medicalmarketing@cpii.com
www.cpii.com/medical/rfgenerators

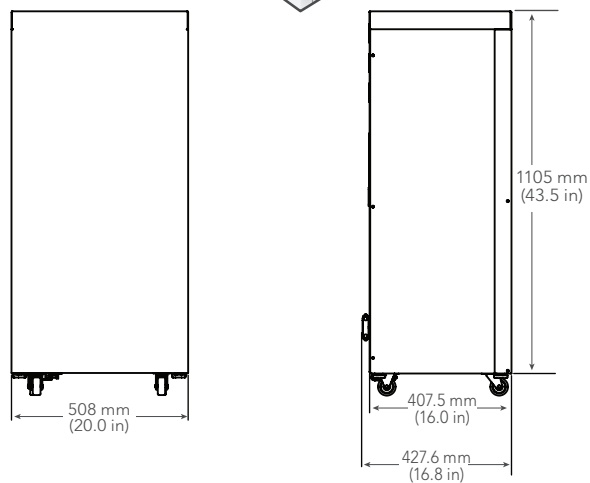
For more detailed information, please refer to the corresponding CPI technical description (if published), or contact CPI before using this information for system design. Specifications may change without notice as a result of additional data or product refinement.

©2023 Communications & Power Industries LLC. Company proprietary: use and reproduction is strictly prohibited without written authorization from CPI.

Oct. 2023

FEATURES

- Advanced and configurable with power range from 50 kW to 100 kW.
- Supports complete R&F system Integration (including ABS) using a variety of communications interfaces and I/O signals.
- Minimal tube related delays using Smart Rotor Control, including Low Speed SuperBoost™ and Smart Filament Control.
- Rapid ABS response using Ethernet Interface for ABS feedback, Smart Rotor and Filament Controls.
- Expansive standard and advanced options available to power modern R&F systems and other specialized applications.
- 2-Tube Integrated Operation, compatible with over 300 X-ray tube models using Low or optional Dual Speed Starter.
- kV-AEC, kV-mAs, or kV-mA-ms techniques.
- Enhanced diagnostics capability using event and error logs.



ISO 15001:2015
CERTIFIED

ISO 9001:2015
CERTIFIED

Registered Trademarks, excluding TÜV, are U.S. Registered Trademarks of Communications & Power Industries Canada Inc.